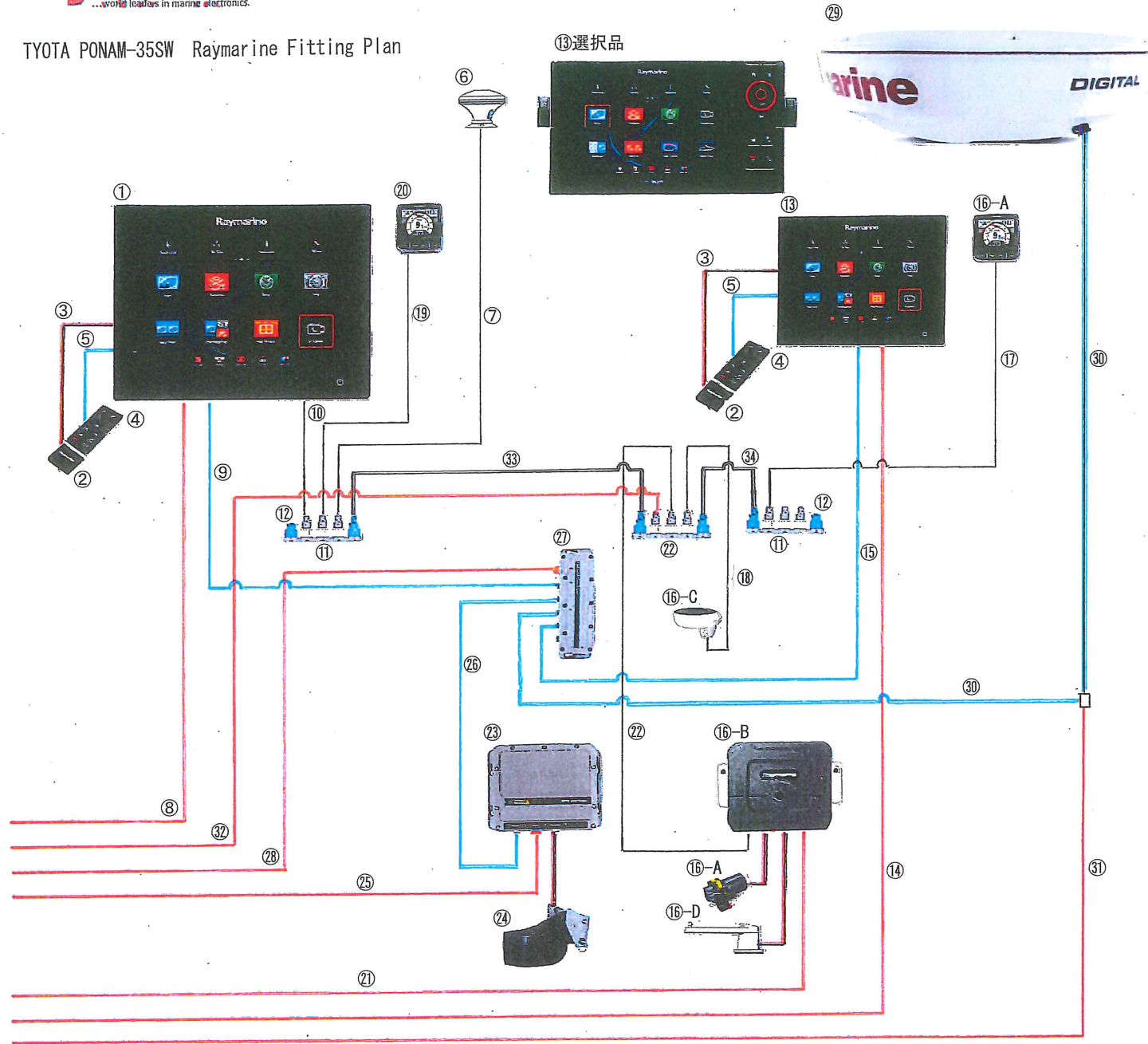


TYOTA PONAM-35SW Raymarine Fitting Plan



IMPORTANT NOTES - PARTS LIST

- ① (E70185)-gS165 15.4" MFD WiFi, No Cartography
- ② (Included)-Chart card reader for gS-Series
- ③ (Included)- cable Chart card reader
- ④ 2× (A80217)-RMK-9 remote keypad for gS-Series
- ⑤ (Included)-2m Raynet cable
- ⑥ (E32153)-RS130 48 channel GPS Sensor
- ⑦ (Included)-5m SeaTalkNG Spur Cable
- ⑧ (Included)-Power Cable
- ⑨ (A62362)-10m Raynet to Raynet Cable
- ⑩ (A06039)-1m SeaTalkNG Spur Cable
- ⑪ 2× (A06064)-SeaTalkNG 5-way connector block
- ⑫ 2× (A06031)-SeaTalkNG BackBone Terminator
- ⑬ (E70183)-gS95 9" MFD, WIFI, No Cartography
- ⑭ (E70274)-eS97 9" MFD, WIFI, No Cartography
- ⑮ (Included)-Power Cable for New gS-Series MFD
- ⑯ (A80005)-5m Raynet to Raynet Cable
- ⑰ (T70157)-EVOLUTION AUTOPILOT SYSTEM PACKS
- ⑰-A p70R Pilot Head
- ⑰-B ACU200 Actuator Control Unit
- ⑰-C EVOLUTION EV1 Sensor Core
- ⑰-D Rudder Reference Indicator Sensor
- ⑰-E Type 1 12v Hydraulic Pump
- ⑱ (A06041)-5m SeaTalkNG Spur Cable
- ⑲ (A06041)-5m SeaTalkNG Spur Cable
- ⑲ (A06039)-1m SeaTalkNG Spur Cable
- ⑳ (E22167)-p70R Pilot Head
- ㉑ Power Cable for ACU200
- ㉒ (Included)-SeaTalkNG 5-way connector block
- ㉓ (E70297)-CP370 ClearPulse Sonar
- ㉔ (E66084)-TM258 Transom Mount Depth Transducer
- ㉕ (Included)-Power Cable for CP370
- ㉖ (A62361)-2m Raynet to Raynet Cable
- ㉗ (A80007)-HS5 SeaTalkHS Network Switch
- ㉘ (Included)-Power for HS5
- ㉙ (T70166)-4Kw 18" Digital Colour Dome
- ㉚ (Included)-10m Raynet Radar Cable
- ㉛ Power Cable for Radar Dome
- ㉜ (Included)-SeaTalkNG PowerCable
- ㉝ (A06036)-5m SeaTalkNG BackBone Cable
- ㉞ (A06033)-0.4m SeaTalkNG BackBone Cable

選択品

- SeaTalkng Spur Cable
- 専用Cable
- SeaTalkng Backbone Cable
- SeaTalkng Raynet Cable
- Power Cable